

BENKISER

DEPARTURES				
TIME	DESTINATION	FLIGHT	GATE	REMARKS
20:06	LONDON	PL755	13	BOARDING
20:13	KYIV	PT333	7	DELAYED
20:23	BRISTOL	TT757	8	BOARDING
20:34	BRISTOL	BC878	19	BOARDING
20:47	PARIS	NM122	6	BOARDING
20:50	GLASGOW	PH655	12	DELAYED
20:55	NAPOLI	MSJ33	15	BOARDING

DEPARTURES				
TIME	DESTINATION	FLIGHT	GATE	REMARKS
20:06	LONDON	PL755	13	BOARDING
20:13	KYIV	PT333	7	DELAYED
20:23	BRISTOL	TT757	8	BOARDING
20:34	BRISTOL	BC878	19	BOARDING
20:47	PARIS	NM122	6	BOARDING
20:50	GLASGOW	PH655	12	DELAYED
20:55	NAPOLI	MSJ33	15	BOARDING

DEPARTURES				
TIME	DESTINATION	FLIGHT	GATE	REMARKS
20:06	LONDON	PL755	13	BOARDING
20:13	KYIV	PT333	7	DELAYED
20:23	BRISTOL	TT757	8	BOARDING
20:34	BRISTOL	BC878	19	BOARDING
20:47	PARIS	NM122	6	BOARDING
20:50	GLASGOW	PH655	12	DELAYED
20:55	NAPOLI	MSJ33	15	BOARDING

DEPARTURES				
TIME	DESTINATION	FLIGHT	GATE	REMARKS
20:06	LONDON	PL755	13	BOARDING
20:13	KYIV	PT333	7	DELAYED
20:23	BRISTOL	TT757	8	BOARDING
20:34	BRISTOL	BC878	19	BOARDING
20:47	PARIS	NM122	6	BOARDING
20:50	GLASGOW	PH655	12	DELAYED
20:55	NAPOLI	MSJ33	15	BOARDING

SENSOR WASHSTATION ALL IN ONE SANITARY CABINET

SOAP

AIR

PAPER

SOAP

AIR

WATER

SOAP

DEPARTURES				
TIME	DESTINATION	FLIGHT	GATE	REMARKS
20:08	BRISTOL	RG755	15	BOARDING
20:13	KYIV	PT333	2	
20:23	LESTER	TT757	1	BOARDING
20:34	BRISTOL	RG876	19	BOARDING
20:47	BRISTOL	NM122	15	DELAYED
20:50	GLASGOW	TY655	12	DELAYED
20:55	BRISTOL	PL123	14	BOARDING

LED PICTOGRAMS

PAPER DISPENSER

MIXER

6L TANK

HAND DRYER

SOAP DISPENSER

FAUCET

1

2



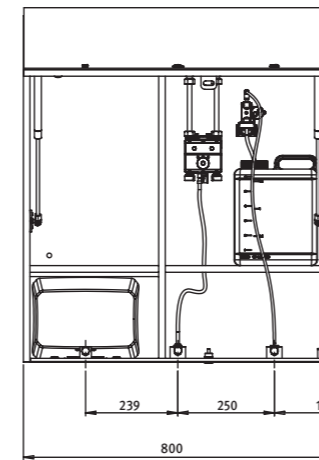
SENSOR WASHSTATION

Complete sanitary cabinet with lockable mirror

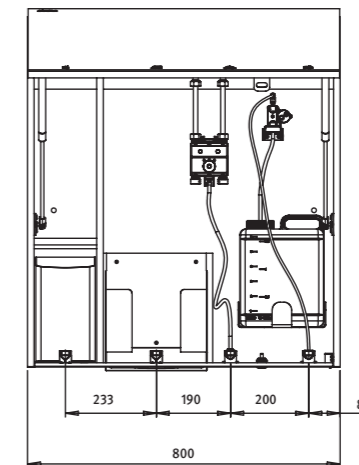
Includes high speed hand dryer, mixing valve, touch free faucet, touch free soap dispenser and LED pictograms for intuitive user guidance and decoration.

Delivered with remote controls to adjust soap dosage, select light color or sequence and customize the faucet settings.

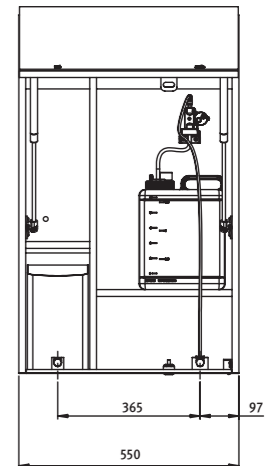
- Eliminates messy, slippery floors and hand drying queues
- Reduces the amount of labor for commercial facilities maintenance
- Electrical connection supplied according to your region/needs



1990101



Module Paper Towel Dispenser
- Upon Request -



Module Soap & Air
- Upon Request -

SENSOR WASHSTATION CITY



Sanitary cabinet with lockable mirror for budget projects

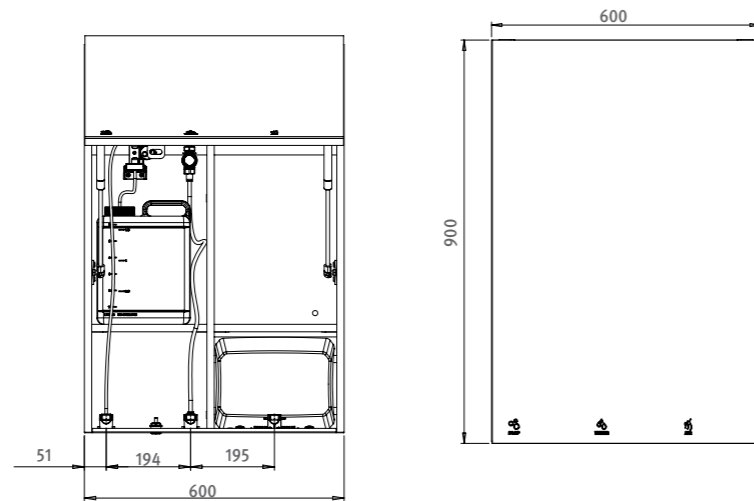
Includes high speed hand dryer, touch free faucet, touch free soap dispenser and LED pictograms for intuitive user guidance and decoration in one color.

Delivered with remote controls to adjust soap dosage and customize the faucet settings.

- Eliminates messy, slippery floors and hand drying queues
- Reduces the amount of labor for commercial facilities maintenance
- Electrical connection supplied according to your region/needs



Upon Request





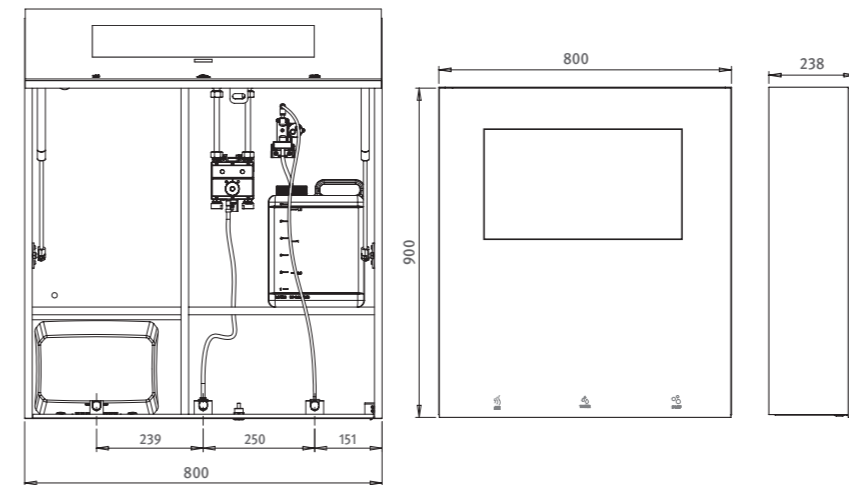
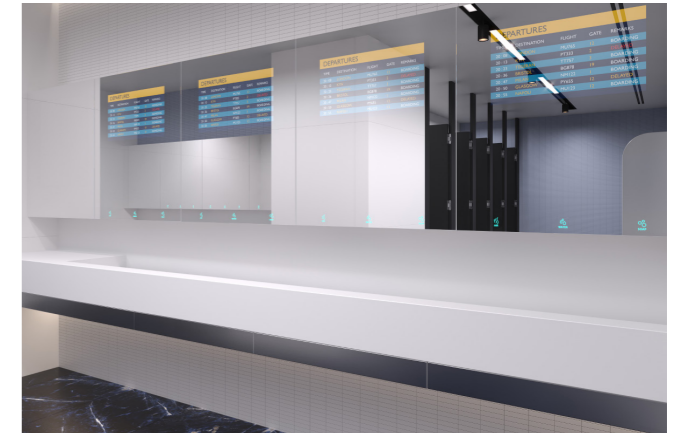
SENSOR WASHSTATION TV

Complete sanitary cabinet with lockable mirror and 23.5" TV

Includes high speed hand dryer, mixing valve, touch free faucet, touch free soap dispenser and LED pictograms for intuitive user guidance and decoration.

Moreover, the award-winning mirror monitor can be incorporated into the cabinet, allowing for the display of user information, advertisements or entertainment.

With Benkiser's behind-the-mirror hand washing stations you can elevate your bathroom to the forefront of modernity.



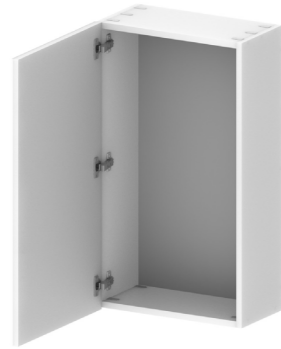
1990101-TV



BRIDGE CABINETS

Decorative fixed cabinet

A bridge cabinet is a type of mirror cabinet used to fill the gap between two Washstations that are close to each other or between a wall and a Washstation. The sizes and colors are flexible to complement the Sensor Washstation.



BRIDGE CABINET LEFT DOOR
- Upon Request -

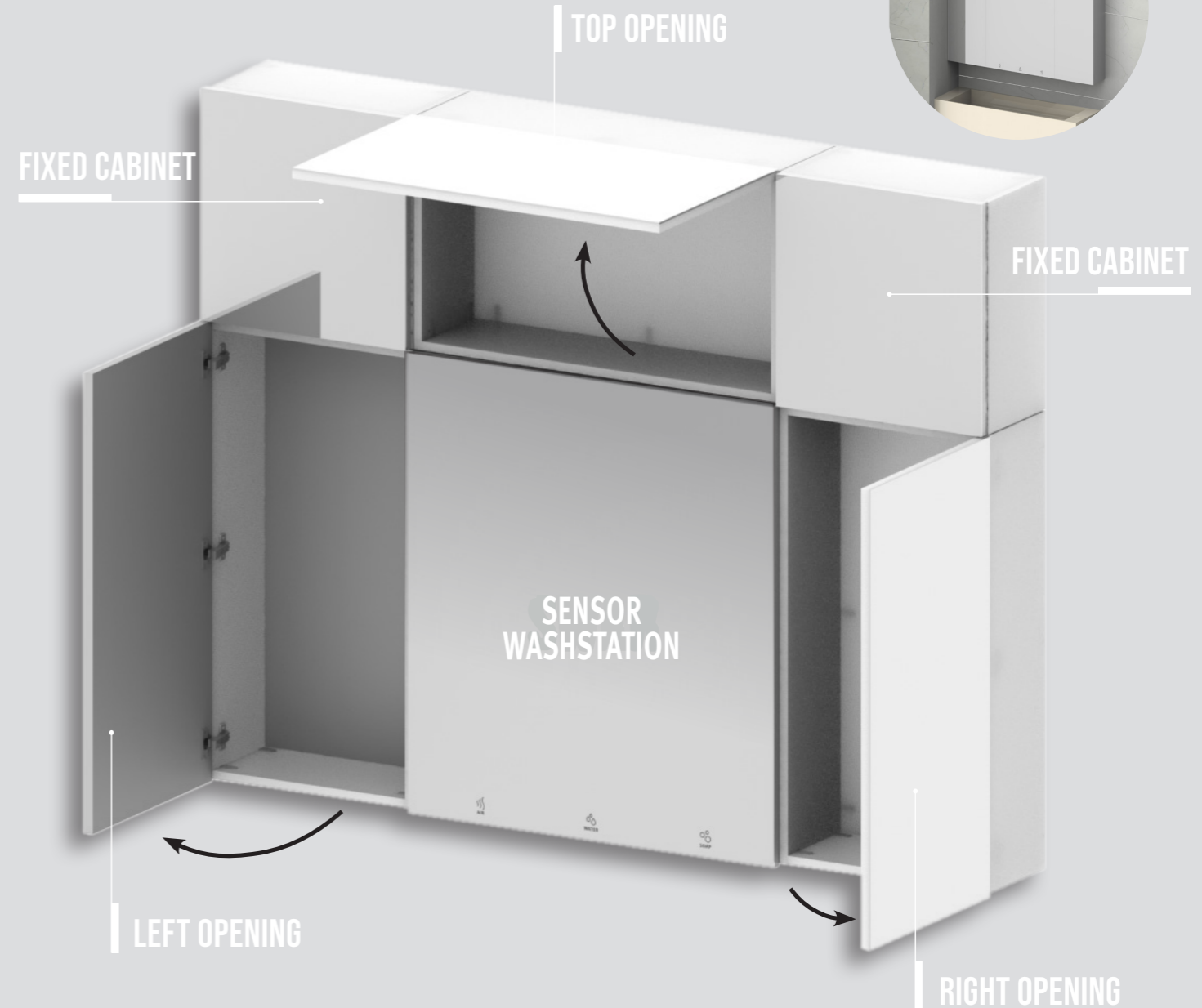


BRIDGE CABINET FOR STORAGE
TOP OPENING
- Upon Request -

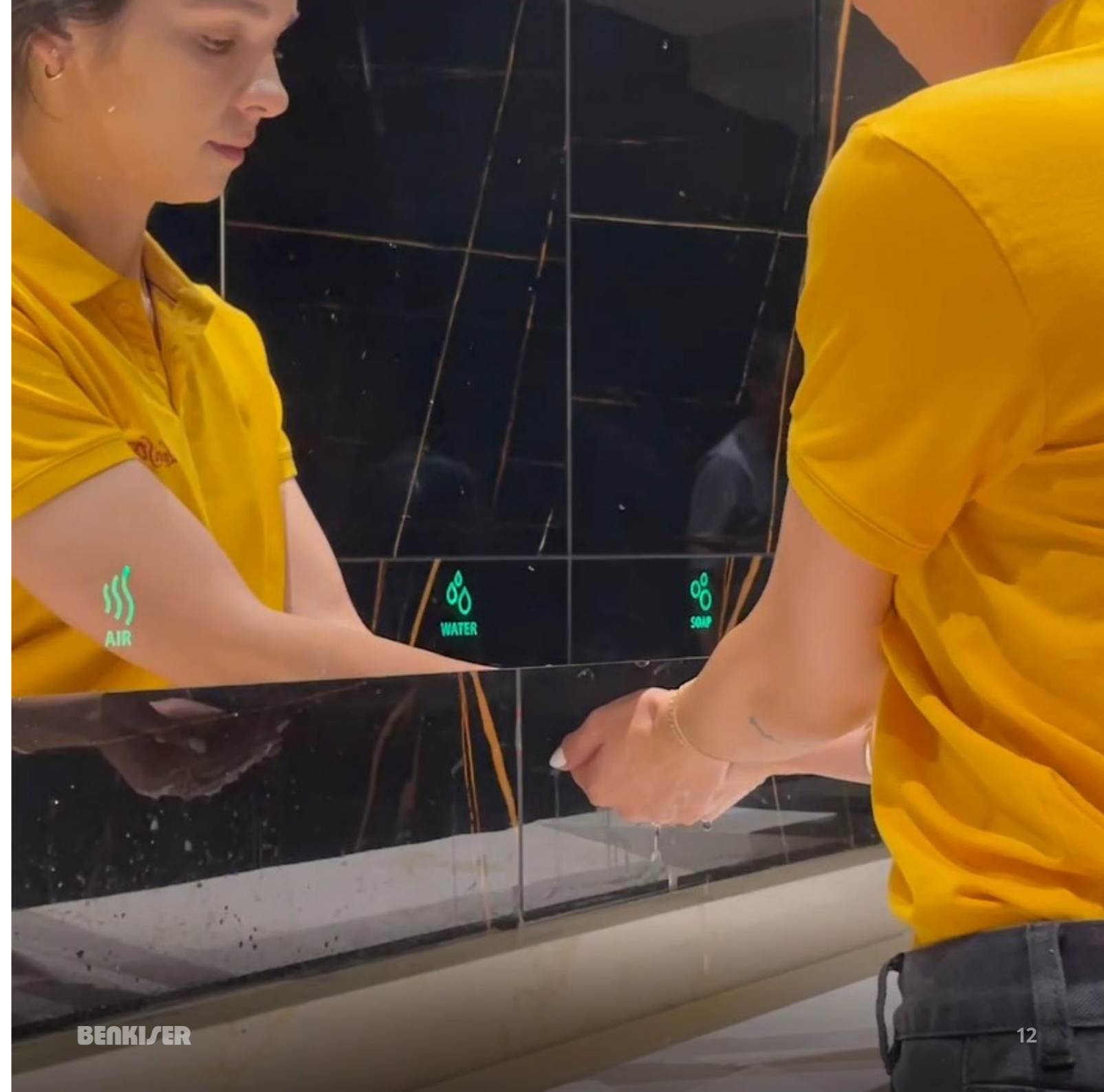


BRIDGE CABINET FOR STORAGE
RIGHT DOOR
- Upon Request -

Side cabinets	Top cabinets
<ul style="list-style-type: none"> - Spacious storage cabinet - With or without internal shelves - With or without lock - Top opening or side opening (left or right) according to your needs 	<ul style="list-style-type: none"> - Spacious storage cabinet with top opening



	SENSOR WASHSTATION	SENSOR WASHSTATION CITY	SENSOR WASHSTATION TV
Water Temperature	One inlet with optional thermostatic mixing valve.	One inlet with optional thermostatic mixing valve.	Integrated mixer to adjust the temperature.
Length	800 mm Bespoke sizes available upon request. Brigde cabinets available.	600 mm Bespoke sizes available upon request. Brigde cabinets available.	800 mm 600 mm and other bespoke sizes available upon request. Brigde cabinets available.
Material	Available in 6 colors: Snow White, Ivory White, Black, Gray, Graphite and Oak	Available in White or Black.	Available in 6 colors: Snow White, Ivory White, Black, Gray, Graphite and Oak
Mirror & Icons	4 mm thick glass mirror with full MDF inside. Intuitive illuminated LED pictograms for user guidance and decoration. White LED illuminated icons.	4 mm thick glass mirror with full MDF inside. Intuitive illuminated LED pictograms for user guidance and decoration. White LED illuminated icons.	4 mm thick glass mirror with full MDF inside. Intuitive illuminated LED pictograms for user guidance and decoration. The color of the light or a sequence of colors can be selected using the provided remote control.
Soap Tank Capacity	6L tank automatic soap dispenser. Soap can be primed with the provided remote control or with the individual button at the pump. Multifeed option available. 1 tank can be used to serve up to 6 Sensor Washstation cabinets.	6L tank automatic soap dispenser. Soap can be primed with the provided remote control or with the individual button at the pump. Multifeed option available. 1 tank can be used to serve up to 6 Sensor Washstation cabinets.	6L tank automatic soap dispenser. Soap can be primed with the provided remote control or with the individual button at the pump. Multifeed option available. 1 tank can be used to serve up to 6 Sensor Washstation cabinets.
Soap Viscosity	Since Benkiser's pump is peristaltic, it works with a big range of viscosities from 100 to up to 3800 cPs.	Since Benkiser's pump is peristaltic, it works with a big range of viscosities from 100 to up to 3800 cPs.	Since Benkiser's pump is peristaltic, it works with a big range of viscosities from 100 to up to 3800 cPs.
Special Features	-	-	Incorporated TV monitor allowing the display of user information, advertisements or entertainment.
Optional Features and Accessories	Soap level indicator to be displayed at the soap icon.	Thermostatic mixing valve.	Soap level indicator to be displayed at the soap icon.



DEPARTURES

TIME	DESTINATION	FLIGHT	GATE	REMARKS
20:06	LONDON	MU765	12	BOARDING
20:08	LONDON	PT333	2	DELAYED
20:13	LONDON	TT757	2	BOARDING
20:21	TRIPOLI	BG878	19	BOARDING
20:36	BRISTOL	NM122	1	DELAYED
20:47	MILAN	PY655	12	BOARDING
20:50	GLASGOW	MU123	12	BOARDING

DEPARTURES

TIME	DESTINATION	FLIGHT	GATE	REMARKS
20:06	LONDON	MU765	12	BOARDING
20:08	LONDON	PT333	2	DELAYED
20:13	LONDON	TT757	2	BOARDING
20:21	TRIPOLI	BG878	19	BOARDING
20:36	BRISTOL	NM122	1	DELAYED
20:47	MILAN	PY655	12	BOARDING
20:50	GLASGOW	MU123	12	BOARDING

DEPARTURES

TIME	DESTINATION	FLIGHT	GATE	REMARKS
20:06	LONDON	MU765	12	BOARDING
20:08	LONDON	PT333	2	DELAYED
20:13	LONDON	TT757	2	BOARDING
20:21	TRIPOLI	BG878	19	BOARDING
20:36	BRISTOL	NM122	1	DELAYED
20:47	MILAN	PY655	12	BOARDING
20:50	GLASGOW	MU123	12	BOARDING

DEPARTURES

TIME	DESTINATION	FLIGHT	GATE	REMARKS
20:06	LONDON	MU765	12	BOARDING
20:08	LONDON	PT333	2	DELAYED
20:13	LONDON	TT757	2	BOARDING
20:21	TRIPOLI	BG878	19	BOARDING
20:36	BRISTOL	NM122	1	DELAYED
20:47	MILAN	PY655	12	BOARDING
20:50	GLASGOW	MU123	12	BOARDING

BENKISER

Daimlerstraße 2, D-93133 Burglengenfeld, Germany
Tel. +49 (0) 9471 / 600 93 0
www.benkiser.net | info@benkiser.de