

SENSOR WASCHSTATION

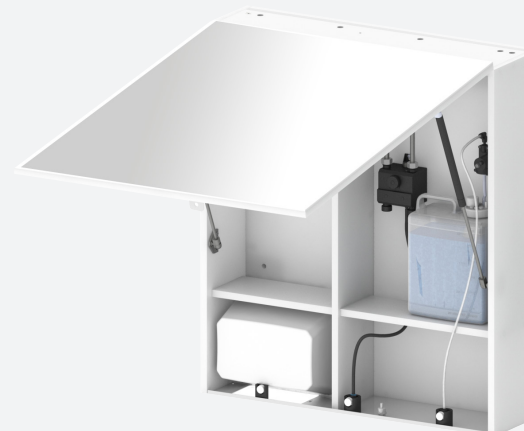
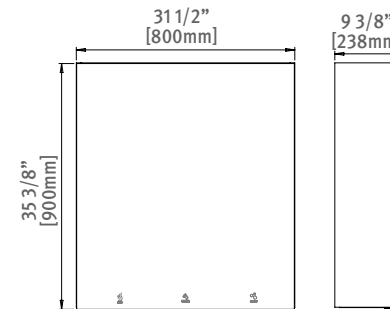
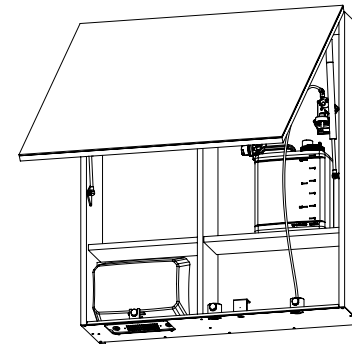
199 01 01

SPECIAL FEATURES

- Complete sanitary cabinet with a lockable mirror
- Includes high speed hand dryer, touch free faucet, touch free soap dispenser and LED pictograms for intuitive user guidance, customizable colors
- Peristaltic pump preventing back flow and clogging (soap dispenser)
- Suitable for use with any generic soap at recommended viscosity level
- Delivered with soap and water remote control to customize settings
- Power supply 12V transformer for faucet and soap dispenser
- Power supply 220/110VAC for hand dryer
- Self-adjusting sensor, adjustable with remote control
- Operating water pressure 0.5-8.0 bar (7-116 PSI), for greater water pressure use a pressure reducing valve

TECHNICAL DETAILS

- Preset faucet sensor range 170 mm (6.69 in)
- Minimum faucet sensor range: 30 mm (1.18 in)
- Maximum faucet sensor range: 200 mm (7.87 in)
- Security time (faucet) 90 seconds, can be reduced with remote control
- Preset sensor range soap dispenser: 150mm, adjustable with remote control
- Minimum soap dispenser sensor range: 30 mm (1.18 in)
- Maximum soap dispenser sensor range: 200 mm (7.87 in)
- Soap tank capacity 6 Liter / 1.6 Gallon
- Recommended soap viscosity 100 - 3800 cPs
- Default soap dosage discharged at 1.4cc (0.047 fl oz).
- Soap discharge volume customizable with remote control.
- Hot water temperature max. 70°C
- Operating voltage hand dryer 220/110VAC, 50/60 Hz, 1.0 kW
- Output warm air volume hand dryer 42-60 CFM (71-102 m3/h)
- Output warm air temp hand dryer 131°F (55°C) at ambient T- 77°F (25°C) Max.
- Output airspeed hand dryer 102 mph (150ft/s) (164 km/h) – 157 mph (230 ft./s) (252 km/h)
- Sound pressure hand dryer 68.9 dB-A min @2M, 74.3 dB-A @ 2M
- Drying time less than 15 seconds
- Stand by power less than 0.5W
- Sensor range hand dryer standard 6" (152mm +/- 20mm)
- Timing protection hand dryer 60 seconds auto shut off
- Timing duration hand dryer 1 second delayed shut off after last sensor read



ADVANTAGES



LEED RATING



SOAP AND WATER



GERM FREE



ADJUSTABLE SETTINGS



EASY TO INSTALL



CLOGGING FREE



ADA DESIGNED