

METRIX FASHION, NETZBETRIEB

199 50 63

BENKISER
ERFINDER SEIT 1909

ADVANTAGES



LEED RATING



OPTIONAL HYGIENE FLUSH



SOAP AND WATER



GERM FREE



ADJUSTABLE SETTINGS



EASY TO INSTALL



ADA DESIGNED

TOUCH-FREE ELECTRONIC FAUCET

SPECIAL FEATURES

Touch free deck mounted electronic faucet

Activated by Infrared sensor

Lead free version with concealed sensor at spout

For cold or premixed water

Drastically reduces water consumption

Helps protect against cross contamination

Sensor settings adjustable by optional remote control

Easy Installation

Internal solenoid valve

Standard chrome finish on solid brass body, other finishes available

TECHNICAL DETAILS

Operating water pressure 0.5-8.0 bar (7-116 PSI), for water pressure greater than 8.0 bar use a pressure reducing valve

Max. water temperature 70°C (158°F)

Water saving options

6 LPM/1.58 GPM; 4 LPM/1 GPM; 3 LPM/0.8 GPM; 1.89 LPM/ 0.5 GPM; 1.3 LPM/0.35 GPM

Preset sensor range 95mm, adjustable with optional remote control

Powered by 9V AC Power Adapter 100 - 240 V 50 - 60 Hz

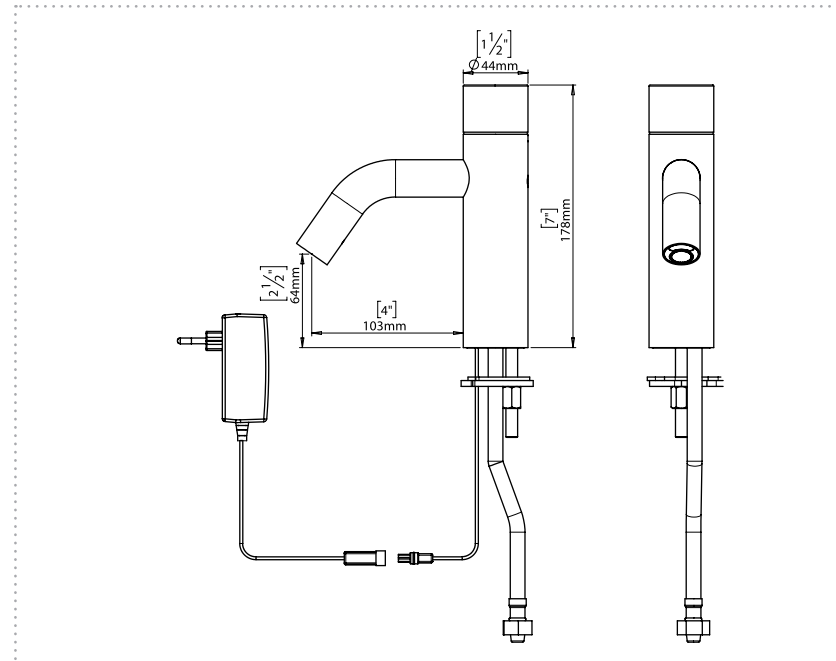
Preset security time 90 seconds, can be reduced with optional remote control

Default hygiene flush every 24 hours for 30 seconds, adjustable from 12-72 hours

MODELS AVAILABLE

199 50 63 - Touch free deck mounted electronic faucet powered by 9V AC Power Adapter 100 - 240 V 50 - 60 Hz

199 50 60 - Touch free deck mounted electronic faucet powered by 6 x 1.5V AA Batteries



Daimlerstraße 2,
D-93133 Burglengenfeld, Germany
Tel. +49 (0) 9471 / 600 93-0
Fax +49 (0) 9471 / 88 55
www.benkiser.de
info@benkiser.de