

ELEMENT DUSCHPANEEL, SELBSTSCHLUSS

196 20 50

SPECIAL FEATURES

Self-closing shower panel

Operated by big push Element for high convenience (full brass)

Reduces water consumption

Aluminum panel with epoxy coating for corrosion resistance

Retrofit solution for old shower systems that conceals damage

Default top inlet exposed installation with option for rear inlet installation

Accurate water flow can be customized onsite

Incl. Filter and stop-valve

Operating pressure 0.5-5.0 bar / 7.0-72.5 PSI

Water supply cold and pre-mixed water

Water flow 9 LPM / 2.38 GPM

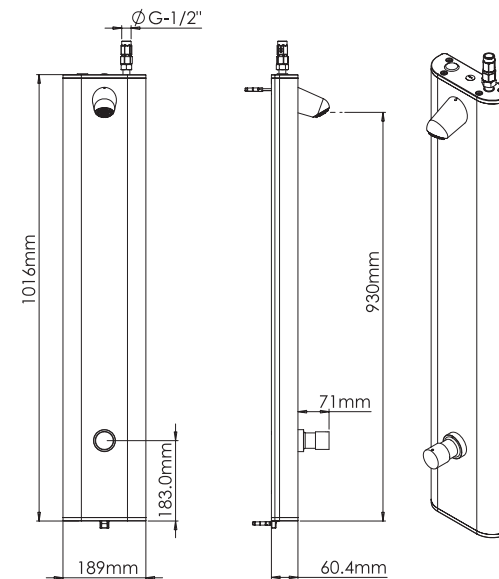
Water saving options 9LPM/2.38GPM; 7LPM/1.85GPM; 6LPM/1.59 GPM; 5LPM/ 1.06GPM

Individual timing setting (10 - 40 sec.) , factory default 25 sec.

Connection 1/2"

MODELS AVAILABLE

196 20 50 - Element Duschpaneel with Self-closing-valve



ADVANTAGES



LEED RATING



VANDAL PROOF



EASY TO INSTALL



ADA DESIGNED