

SHOWER THERMOSTAT 196

196 12 12

BENKISER
ERFINDER SEIT 1909

SHOWER THERMOSTATIC SELF CLOSING MIXER

SPECIAL FEATURES

Concealed thermostatic shower mixer

Installation with compact polystyrene set

Comfortable and easy front push button operation

Temperature mixing handle incl. hot water stop 38°C and anti scalding (17°C - 42°C)

Reduces water consumption

Material: Brass, acc. TrinkwV

Easy Installation

Operating temperature: 65°C, thermal disinfection 75°C

Incl. chromed brass cover plate (160 mm x 210 mm), polystyrene set

TECHNICAL DETAILS

Operating pressure 0.5-5.0 bar / 7.0-73.0 psi

Flow rate ca. 20 L/Min. (DIN EN 816)

Individual timing 10 - 40 Sec, pre-set 25 Sec. at 2 bar

Inlet connection: 1/2" DN 15

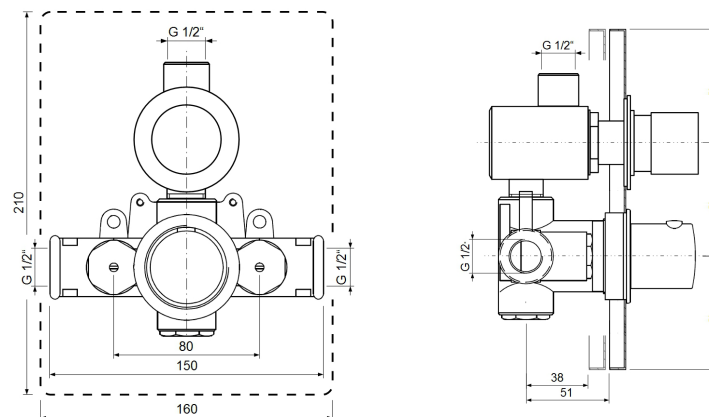
Outlet connection: 1/2" DN 15

Surface: Chrome, acc. to DIN EN 248

Brass and plastic parts acc. to UBA and KTW

MODELS AVAILABLE

196 12 12 : Thermostatic Concealed Self Closing Shower Mixer 1/2" (DN 15)
with individual timing



ADVANTAGES



WATER SAVING



VANDAL PROOF



EASY TO INSTALL



TIMING



ANTI SCALDING

Daimlerstraße 2,
D-93133 Burglengenfeld, Germany
Tel. +49 (0) 9471 / 600 93-0
Fax +49 (0) 9471 / 88 55
www.benkiser.de
info@benkiser.de