

# SHOWER SELF CLOSING VALVE 192

192 21 35

**BENKISER**  
ERFINDER SEIT 1909

## CONCEALED SELF CLOSING SHOWER VALVE

### SPECIAL FEATURES

Shower self closing valve for concealed installation

For cold and premixed water

Big, comfortable push button element (full brass)

Reduces water consumption

All components exchangable without disassembly

Material: Brass, chromed, acc. TrinkwV

Easy installation

Pushing independent from water pressure, water hammer free

Incl. stainless steel cover plate, diameter 120 mm

### TECHNICAL DETAILS

Operating pressure 0.5-5.0 bar / 7.0-73.0 psi

Flow rate acc. to German DIN

Individual timing 10 - 40 Sec.

Connection union nut 1/2"

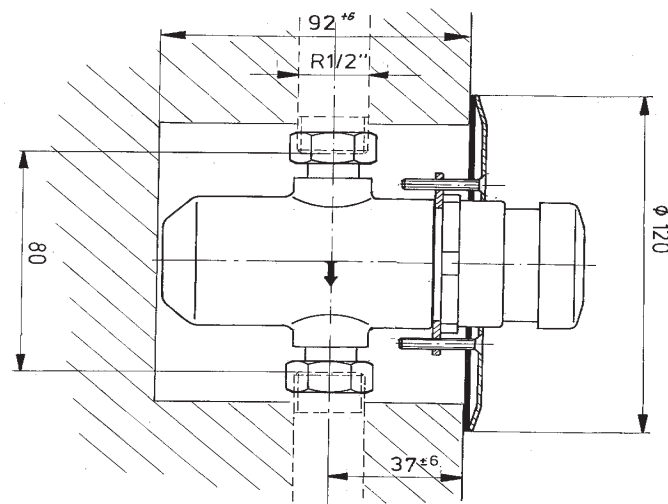
Surface push button: Chrome, acc. to DIN EN 248

Brass and plastic parts acc. to UBA and KTW

### MODELS AVAILABLE

192 21 35 : Concealed Self Closing Shower Valve 1/2" (DN 15) with individual timing

192 20 35 : Concealed Self Closing Shower Valve 1/2" (DN 15), running time 15 Sec. (2 bar)



### VORTEILE



WATER SAVING



VANDAL PROOF



EASY TO INSTALL



TIMING

Daimlerstraße 2,  
D-93133 Burglengenfeld, Germany  
Tel. +49 (0) 9471 / 600 93-0  
Fax +49 (0) 9471 / 88 55  
[www.benkiser.de](http://www.benkiser.de)  
[info@benkiser.de](mailto:info@benkiser.de)