

## BASIN SELF CLOSING TAP

### SPECIAL FEATURES

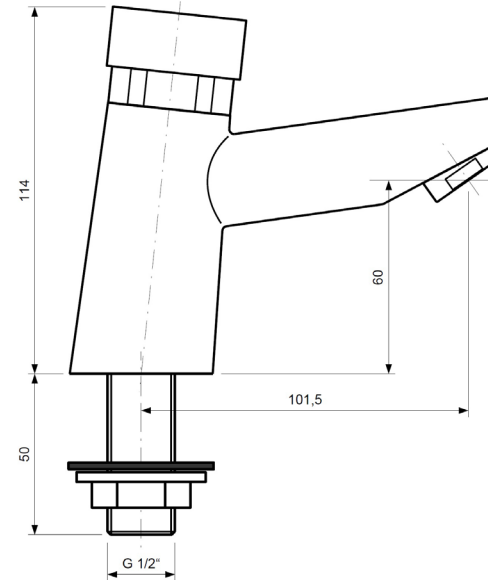
- Self closing basin tap incl Individual timing
- Comfortable push button operation (full brass)
- For cold and pre-mixed water
- Reduces water consumption
- Vandal proof for public areas
- Full brass body , chromed surface, acc. to TrinkwV
- Easy installation incl. mounting nut
- DVGW Reg-Nr. NW-6508CO0231
- Noise class 1: P-IX 19809 / IO
- Cartridge almost maintenance free
- Incl. fixation kit for washbasin installation

### TECHNICAL DETAILS

- Operating pressure 0.5-5.0 bar / 7.0-73.0 psi
- Water Temperature Maximum 90°C (194°F)
- Water flow ca. 6 L/Min / 1.58 GPM (DIN EN 816); water saving options available
- Timing adjustments on site 3 - 12 sec.
- Connection: Single hole 1/2"
- Surface: Chrome, acc. to DIN EN 248
- Brass and plastic parts acc. to UBA and KTW

### MODELS AVAILABLE

176 50 50 : PICTO Basin Self Closing Tap 1/2" (DN15)



### ADVANTAGES



WATER SAVING



FULL BRASS



EASY TO INSTALL



DVGW



NOISE CLASS I